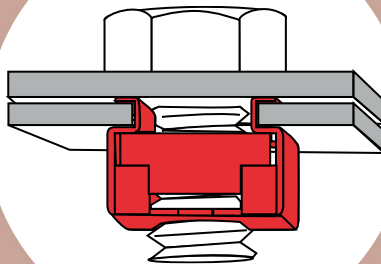


# SPEED GRIP CAGE NUTS



Full Range of Imperial & Metric Thread Sizes

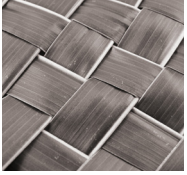
Accommodates Panel Thicknesses of .020" - .250" & .50mm - 6.60mm

No Special Tools or Skills Required to Install

Look for the NEW "RG" and "T" Stampings

ARaymond ™  
MORE THAN FASTENING

 **TINNERMAN**

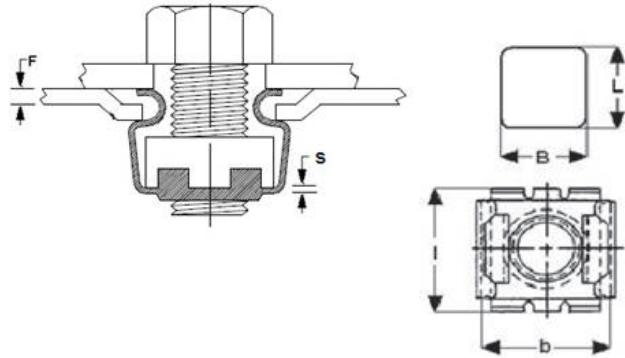
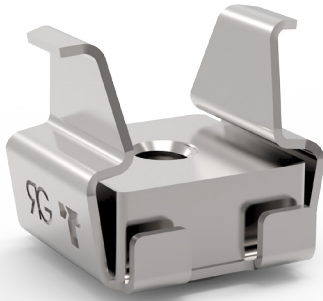


# ASSEMBLING Nuts & Bolts

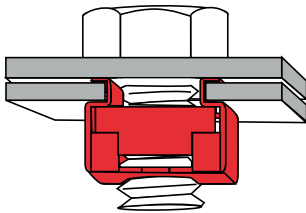


In Panel  
Holes

## Speed Grip Cage Nuts



### APPLICATION INFORMATION



- Used to attach components to panels with square holes
- Snap readily into bolt receiving position at center panel locations and retain themselves in place
- Can be applied at any convenient spot along the assembly line
- Installation does not require any special tools or skills, eliminating the need for special operations
- The nut floats within the cage to account for normal build variation
- Ideal for blind location assembly
- Serviceable - parts disassemble easily and reliably - reusable
- Eliminates the need for a second hand tool to hold nut
- Commonly used on serviceable access panels and cabinet construction for various industries

### FINISH AVAILABILITY

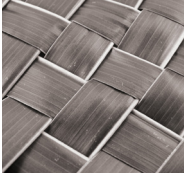
Finish Code	Legacy Code	Color	Description	Red Rust	White Rust
3001	3B	Silver	Zinc Electroplate with Tri Clear Passivation	56	24
5100	4	Grey/Black	Zinc Phosphate & Oil	72	None

### MATERIAL DESCRIPTION

Unless designated otherwise, cage nuts are manufactured in spring steel.

### VIDEO ON CAGE NUTS





# ASSEMBLING Nuts & Bolts



In Panel  
Holes

## Speed Grip Cage Nuts

### Imperial

Part Number	Replaces Part Number	Thread Specification	Panel Thickness (F)	Hole Width (B)	Nominal Hole Length (L)	Width (b)	Length (l)	Material Thickness (s)
242664	D07931-832	8-32	0.020 - 0.063	0.343 - 0.380	0.377	0.490	0.520	0.020
242665	D07941-832	8-32	0.063 - 0.105	0.343 - 0.380	0.377	0.490	0.520	0.020
242666	D07951-832	8-32	0.093 - 0.126	0.343 - 0.380	0.377	0.490	0.520	0.020
242667	D31365-832	8-32	0.125 - 0.156	0.343 - 0.380	0.377	0.490	0.520	0.020
242669	D07931-1024	10-24	0.020 - 0.063	0.343 - 0.380	0.377	0.490	0.520	0.020
242670	D07941-1024	10-24	0.063 - 0.105	0.343 - 0.380	0.377	0.490	0.520	0.020
242671	D07951-1024	10-24	0.093 - 0.126	0.343 - 0.380	0.377	0.490	0.520	0.020
242672	D31365-1024	10-24	0.125 - 0.156	0.343 - 0.380	0.377	0.490	0.520	0.020
242674	D07931-1032	10-32	0.020 - 0.063	0.343 - 0.380	0.377	0.490	0.520	0.020
242675	D07941-1032	10-32	0.063 - 0.105	0.343 - 0.380	0.377	0.490	0.520	0.020
242676	D07951-1032	10-32	0.093 - 0.126	0.343 - 0.380	0.377	0.490	0.520	0.020
242677	D31365-1032	10-32	0.125 - 0.156	0.343 - 0.380	0.377	0.490	0.520	0.020
242679	D07931-1224	12-24	0.020 - 0.063	0.343 - 0.380	0.377	0.490	0.520	0.020
242680	D07941-1224	12-24	0.063 - 0.105	0.343 - 0.380	0.377	0.490	0.520	0.020
242681	D07951-1224	12-24	0.093 - 0.126	0.343 - 0.380	0.377	0.490	0.520	0.020
242682	D31365-1224	12-24	0.125 - 0.156	0.343 - 0.380	0.377	0.490	0.520	0.020
242684	D07988-1420	1/4-20	0.020 - 0.063	0.343 - 0.380	0.377	0.490	0.520	0.020
240846	D07998-1420	1/4-20	0.063 - 0.105	0.343 - 0.380	0.377	0.490	0.520	0.020
242685	D07956-1420	1/4-20	0.093 - 0.126	0.343 - 0.380	0.377	0.490	0.520	0.020
242686	D31365-1420	1/4-20	0.125 - 0.156	0.343 - 0.380	0.377	0.490	0.520	0.020
242922	D07937-5618	5/16-18	0.020 - 0.056	0.460 - 0.508	0.505	0.640	0.660	0.025
242923	D07953-5618	5/16-18	0.057 - 0.092	0.460 - 0.508	0.505	0.640	0.660	0.025
242924	D07957-5618	5/16-18	0.093 - 0.126	0.460 - 0.508	0.505	0.640	0.660	0.025
242925	D07935-5618	5/16-18	0.127 - 0.162	0.460 - 0.508	0.505	0.640	0.660	0.025
242926	D31910-5618	5/16-18	0.177 - 0.197	0.460 - 0.508	0.505	0.640	0.660	0.025
242927	D07937-3816	3/8-16	0.020 - 0.056	0.460 - 0.508	0.505	0.640	0.660	0.025
242928	D07953-3816	3/8-16	0.057 - 0.092	0.460 - 0.508	0.505	0.640	0.660	0.025
242929	D07957-3816	3/8-16	0.093 - 0.126	0.460 - 0.508	0.505	0.640	0.660	0.025
242930	D07935-3816	3/8-16	0.127 - 0.162	0.460 - 0.508	0.505	0.640	0.660	0.025
242931	D31910-3816	3/8-16	0.177 - 0.197	0.460 - 0.508	0.505	0.640	0.660	0.025
<b>242947</b>	<b>D07968-3816</b>	3/8-16	0.020 - 0.092	0.558 - 0.593	0.590	0.835	0.865	0.025
<b>242948</b>	<b>D07969-3816</b>	3/8-16	0.092 - 0.126	0.558 - 0.593	0.590	0.835	0.865	0.025
<b>242949</b>	<b>D30683-3816</b>	3/8-16	0.126 - 0.210	0.558 - 0.593	0.590	0.835	0.865	0.025
<b>242950</b>	<b>D30096-3816</b>	3/8-16	0.210 - 0.260	0.558 - 0.593	0.590	0.835	0.865	0.025

*Most parts manufactured in spring steel  
Note: Parts noted in red are currently made to order at the time of catalog  
publication. Parts may be purchased by contacting ARaymond Sales.*

Self-Retaining Threaded Nuts



In Panel  
Holes

## Speed Grip Cage Nuts

### Imperial Continued

Part Number	Replaces Part Number	Thread Specification	Panel Thickness (F)	Hole Width (B)	Nominal Hole Length (L)	Width (b)	Length (l)	Material Thickness (s)
242951	D07968-7614	7/16-14	0.020 - 0.092	0.558 - 0.593	0.590	0.835	0.865	0.025
242952	D07969-7614	7/16-14	0.092 - 0.126	0.558 - 0.593	0.590	0.835	0.865	0.025
242953	D30683-7614	7/16-14	0.126 - 0.210	0.558 - 0.593	0.590	0.835	0.865	0.025
242954	D30096-7614	7/16-14	0.210 - 0.260	0.558 - 0.593	0.590	0.835	0.865	0.025
242955	D07968-1213	1/2-13	0.020 - 0.092	0.558 - 0.593	0.590	0.835	0.865	0.025
242956	D07969-1213	1/2-13	0.092 - 0.126	0.558 - 0.593	0.590	0.835	0.865	0.025
242957	D30683-1213	1/2-13	0.126 - 0.210	0.558 - 0.593	0.590	0.835	0.865	0.025
242958	D30096-1213	1/2-13	0.210 - 0.260	0.558 - 0.593	0.590	0.835	0.865	0.025

### Metric

Part Number	Replaces Part Number	Thread Specification	Panel Thickness (F)	Hole Width (B)	Nominal Hole Length (L)	Width (b)	Length (l)	Material Thickness (s)
242693	D07931-M508	M5x0.8	0.50 - 1.60	8.71 - 9.65	9.58	12.45	13.21	0.51
242694	D07941-M508	M5x0.8	1.60 - 2.70	8.71 - 9.65	9.58	12.45	13.21	0.51
242695	D07951-M508	M5x0.8	2.40 - 3.20	8.71 - 9.65	9.58	12.45	13.21	0.51
242696	D31365-M508	M5x0.8	3.20 - 4.00	8.71 - 9.65	9.58	12.45	13.21	0.51
242698	D07988-M61	M6x1.0	0.50 - 1.60	8.71 - 9.65	9.58	12.45	13.21	0.51
242699	D07998-M61	M6x1.0	1.60 - 2.70	8.71 - 9.65	9.58	12.45	13.21	0.51
242700	D07956-M61	M6x1.0	2.40 - 3.20	8.71 - 9.65	9.58	12.45	13.21	0.51
242701	D31365-M61	M6x1.0	3.20 - 4.00	8.71 - 9.65	9.58	12.45	13.21	0.51
242937	D07937-M8125	M8x1.25	0.70 - 1.40	11.68 - 12.90	12.83	16.26	16.76	0.64
242938	D07953-M8125	M8x1.25	1.40 - 2.30	11.68 - 12.90	12.83	16.26	16.76	0.64
242939	D07957-M8125	M8x1.25	2.30 - 3.20	11.68 - 12.90	12.83	16.26	16.76	0.64
242940	D07935-M8125	M8x1.25	3.20 - 4.10	11.68 - 12.90	12.83	16.26	16.76	0.64
242941	D31910-M8125	M8x1.25	4.10 - 5.00	11.68 - 12.90	12.83	16.26	16.76	0.64
242942	D07937-M1015	M10x1.5	0.70 - 1.40	11.68 - 12.90	12.83	16.26	16.76	0.64
242943	D07953-M1015	M10x1.5	1.40 - 2.30	11.68 - 12.90	12.83	16.26	16.76	0.64
242944	D07957-M1015	M10x1.5	2.30 - 3.20	11.68 - 12.90	12.83	16.26	16.76	0.64
242945	D07935-M1015	M10x1.5	3.20 - 4.10	11.68 - 12.90	12.83	16.26	16.76	0.64
242946	D31910-M1015	M10x1.5	4.10 - 5.00	11.68 - 12.90	12.83	16.26	16.76	0.64
242963	D07968-12175	M12x1.75	0.50 - 2.30	14.20 - 15.10	15.00	21.21	22.00	0.64
242964	D07969-12175	M12x1.75	2.30 - 3.20	14.20 - 15.10	15.00	21.21	22.00	0.64
242965	D30683-12175	M12x1.75	3.20 - 5.30	14.20 - 15.10	15.00	21.21	22.00	0.64
242966	D30096-12175	M12x1.75	5.30 - 6.60	14.20 - 15.10	15.00	21.21	22.00	0.64

*Most parts manufactured in spring steel  
Note: Parts noted in red are currently made to order at the time of catalog  
publication. Parts may be purchased by contacting ARaymond Sales.*



## Disclaimer

© A. Raymond Tinnerman Industrial, Inc.

\*"ARaymond Tinnerman Industrial" means A. Raymond Tinnerman Industrial, Inc. 02609G – 1060 W. 130th Street, Brunswick, OH 44212, which is an independent company of ARaymond Network and which is responsible for this flyer.

\*\*"ARaymond Network" in this flyer means a network of independent companies that have a licence of trademark. A. RAYMOND TINNERMAN INDUSTRIAL, Inc. is an independent company that belongs to the ARaymond Network. ARaymond™ is used as a trademark. "Flyer" means the information and any materials available in this flyer including, without any limitation, pictures, datasheets, product descriptions, etc. This flyer does not constitute an offer or an agreement of any kind. This flyer does not constitute a technical note. The flyer is provided "as is" and only for evaluation purpose. A. RAYMOND TINNERMAN INDUSTRIAL, Inc. makes no warranty or representation whatsoever regarding the flyer its use or its suitability to meet specific needs. A. RAYMOND TINNERMAN INDUSTRIAL, Inc. DISCLAIMS ALL WARRANTIES, EXPRESS OR IMPLIED, INCLUDING BUT NOT LIMITED TO THE ACCURACY, RELIABILITY, NOVELTY, COMPLETENESS, MERCHANTABILITY OR FITNESS FOR ANY PARTICULAR PURPOSE OF THE INFORMATION, NOR THAT WILL ITS USE NOT INFRINGE ON ANY THIRD PARTY'S RIGHTS. A. RAYMOND TINNERMAN INDUSTRIAL, Inc. is not liable for any incidental, consequential or special damages of any kind due to the use of the flyer. The flyer and/or its contents is copyrighted works of A. RAYMOND TINNERMAN INDUSTRIAL, Inc. and may be also protected by trademark laws, patent laws or other laws. All other copyrights, trademarks or patents not owned by A. RAYMOND TINNERMAN INDUSTRIAL, Inc. are the property of their respective owners. The only use permitted is to consult the flyer. Any rights not expressly granted herein are reserved. Except as expressly specified in these terms, nothing contained herein shall be construed as conferring any license or right of any copyright, trademark, patent, or any proprietary rights. Any unauthorized use of this flyer may violate rights, and so, A. RAYMOND TINNERMAN INDUSTRIAL, Inc. or any third party concerned may claim any damages or losses suffered. If you need further information, please contact A. RAYMOND TINNERMAN INDUSTRIAL, Inc.

[www.araymond-industrial.com](http://www.araymond-industrial.com)

A. Raymond Tinnerman Industrial, Inc. 02609G  
1060 W. 130th Street  
Brunswick, OH 44212

Email: [araymond\\_tinnerman\\_industrial@araymond-tinnerman.com](mailto:araymond_tinnerman_industrial@araymond-tinnerman.com)

Tel: 330.220.5100

