

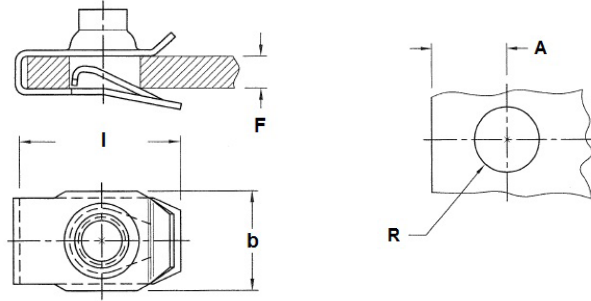
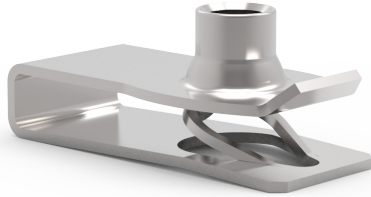
# ASSEMBLING Nuts & Bolts



On Panel  
Edges

## U-Nuts - **\*\*New\*\***

Tapped Barrel - Long-Throat LUGS



### Imperial

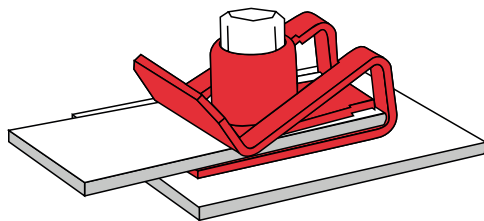
Part Number	Thread Specification	Panel Thickness (F)	Throat Distance (A)	Hole Diameter (R)	Width (b)	Length (I)	Torque
246126	1/4-20	0.025 - 0.150	0.740	0.390	0.570	1.161	Free-Spinning
246128	1/4-20	0.025 - 0.150	0.740	0.390	0.570	1.161	Prevailing
246094	5/16-18	0.025 - 0.150	0.800	0.463	0.670	1.253	Free-Spinning
247615	5/16-18	0.025 - 0.150	0.800	0.463	0.670	1.253	Prevailing
245459	5/16-18	0.050 - 0.200	0.780	0.463	0.670	1.240	Free-Spinning
247583	5/16-18	0.050 - 0.200	0.780	0.463	0.670	1.240	Prevailing

### Metric

Part Number	Thread Specification	Panel Thickness (F)	Throat Distance (A)	Hole Diameter (R)	Width (b)	Length (I)	Torque
246127	M6x1.0	0.80 - 4.00	18.50	10.00	14.50	29.50	Free-Spinning
247582	M6x1.0	0.80 - 4.00	18.50	10.00	14.50	29.50	Prevailing
247641	M8x1.25	0.80 - 4.00	19.50	12.00	17.00	31.80	Free-Spinning
247642	M8x1.25	0.80 - 4.00	19.50	12.00	17.00	31.80	Prevailing

*Most parts manufactured in spring steel*

### APPLICATION INFORMATION



VIDEO ON U-NUTS

- Used to provide simple, rapid attachment of mating panels
- Parts self-retain in screw-receiving position
- Preferred alternative for machine screws
- Barrel comes in prevailing torque and free-spinning options
- The nut is slid onto the panel edge and over the panel hole
- Self-retention feature improves assembly time and eliminates costly welding and clinching costs
- Corrects misalignment in panel mounting holes
- Part does not turn as the screw is driven and won't freeze on screw threads
- Serviceable - parts disassemble easily and reliably
- Can be used wherever a screw or bolt is used and in place of clinch nuts and weld nuts
- Easy to assemble, requiring no special tools
- The tapped barrel strength equals that of the screw

Self-Retaining Threaded Fasteners

**ARaymond**   
MORE THAN FASTENING

**TINERMAN**

## DISCLAIMER

© A. Raymond Tinnerman Industrial, Inc.

\* "ARaymond Tinnerman Industrial" means A. Raymond Tinnerman Industrial, Inc. 02609G – 1060 W. 130th Street, Brunswick, OH 44212, which is an independent company of ARaymond Network and which is responsible for this flyer.

\*\* "ARaymond Network" in this flyer means a network of independent companies that have a licence of trademark. A. RAYMOND TINNERMAN INDUSTRIAL, Inc. is an independent company that belongs to the ARaymond Network. ARaymond™ is used as a trademark. "Flyer" means the information and any materials available in this flyer including, without any limitation, pictures, datasheets, product descriptions, etc. This flyer does not constitute an offer or an agreement of any kind. This flyer does not constitute a technical note. The flyer is provided "as is" and only for evaluation purpose. A. RAYMOND TINNERMAN INDUSTRIAL, Inc. makes no warranty or representation whatsoever regarding the flyer its use or its suitability to meet specific needs. A. RAYMOND TINNERMAN INDUSTRIAL, Inc. DISCLAIMS ALL WARRANTIES, EXPRESS OR IMPLIED, INCLUDING BUT NOT LIMITED TO THE ACCURACY, RELIABILITY, NOVELTY, COMPLETENESS, MERCHANTABILITY OR FITNESS FOR ANY PARTICULAR PURPOSE OF THE INFORMATION, NOR THAT WILL ITS USE NOT INFRINGE ON ANY THIRD PARTY'S RIGHTS. A. RAYMOND TINNERMAN INDUSTRIAL, Inc. is not liable for any incidental, consequential or special damages of any kind due to the use of the flyer. The flyer and/or its contents is copyrighted works of A. RAYMOND TINNERMAN INDUSTRIAL, Inc. and may be also protected by trademark laws, patent laws or other laws. All other copyrights, trademarks or patents not owned by A. RAYMOND TINNERMAN INDUSTRIAL, Inc. are the property of their respective owners. The only use permitted is to consult the flyer. Any rights not expressly granted herein are reserved. Except as expressly specified in these terms, nothing contained herein shall be construed as conferring any license or right of any copyright, trademark, patent, or any proprietary rights. Any unauthorized use of this flyer may violate rights, and so, A. RAYMOND TINNERMAN INDUSTRIAL, Inc. or any third party concerned may claim any damages or losses suffered. If you need further information, please contact A. RAYMOND TINNERMAN INDUSTRIAL, Inc.

[www.araymond-industrial.com](http://www.araymond-industrial.com)

A. Raymond Tinnerman Industrial, Inc. 02609G  
1060 W. 130th Street  
Brunswick, OH 44212

Email: [araymond\\_tinnerman\\_industrial@araymond-tinnerman.com](mailto:araymond_tinnerman_industrial@araymond-tinnerman.com)

Tel: 330.220.5100

